



HAND OPERATED SIRENS

LK-100 LK-100A LK-100B LK-100P
LK-120 LK-120A LK-120B FX-200

DESCRIPTION:

LION KING Hand Operated Sirens are designed to provide effective warning signal in miscellaneous Applications where there is no power supply available. Such as:

- Civil defence
- Mountain rescue
- Firefighting
- Frontier defence & coast guard
- Flood warning
- Camping sites
- Schools
- Factories
- Residential area
- Public buildings
- Household use
- Mining & construction sites
- Sports & games
- Football match
- Music playing
- Military Use

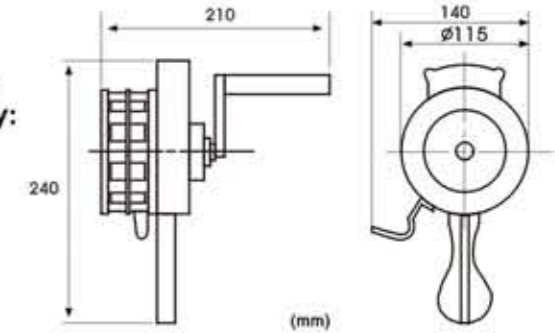
Due to lightweight the sirens can be easily transported to remote locations and folded up to a Small size for ease of carrying.



LK-100



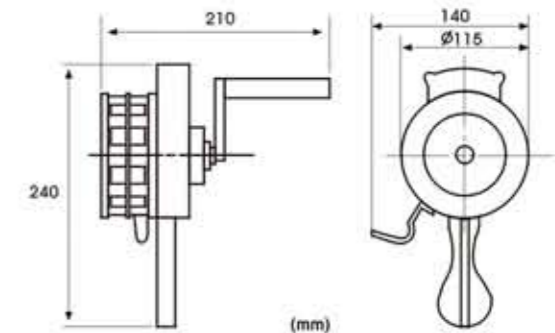
Sound Rating:
110±2dB(A) @1m
Output Frequency:
550±20Hz
Net Weight:
1.2Kg
Packing Size:
18.6x18.6x17cm
Material:
mainly made of aluminum alloy



LK-100P



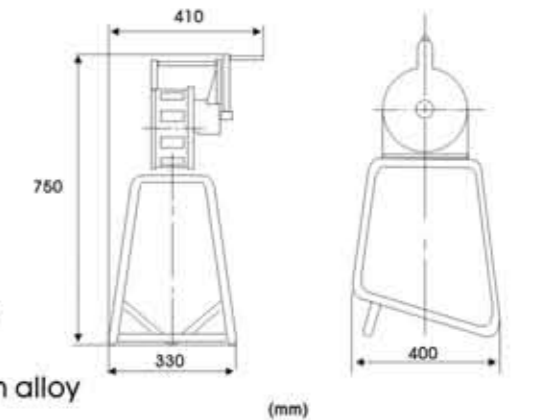
Sound Rating:
110±2dB(A) @1m
Output Frequency:
550±20Hz
Net Weight:
0.6Kg
Packing Size:
15.5x14.5x16cm
Material:
mainly made of durable ABS plastic



LK-120



Sound Rating:
120±2dB(A) @1m
Output Frequency:
600±20Hz
Net Weight: 9kg
Packing Size: 45x37x58cm
Material:
mainly made of aluminum alloy



FX-200



Sound Rating:
118±2dB(A) @1M
Output Frequency:
480±20Hz
Net Weight: 5Kg
Packing Size: 54 x 24 x 27 cm
Material: mainly made of aluminum alloy

