

□ 172 Axial fan
×150×50mm



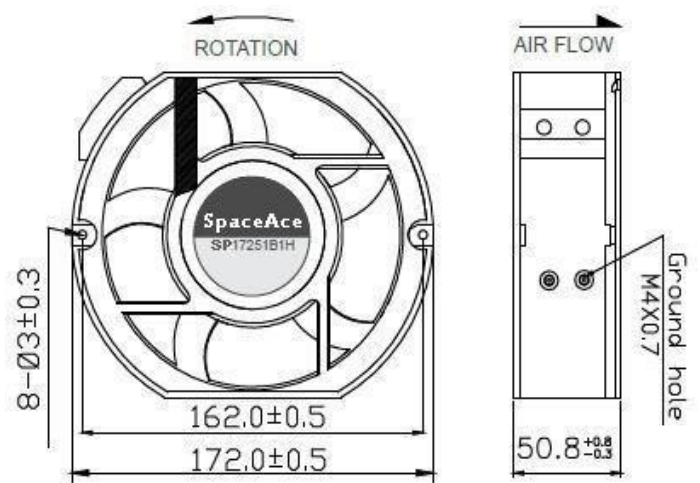
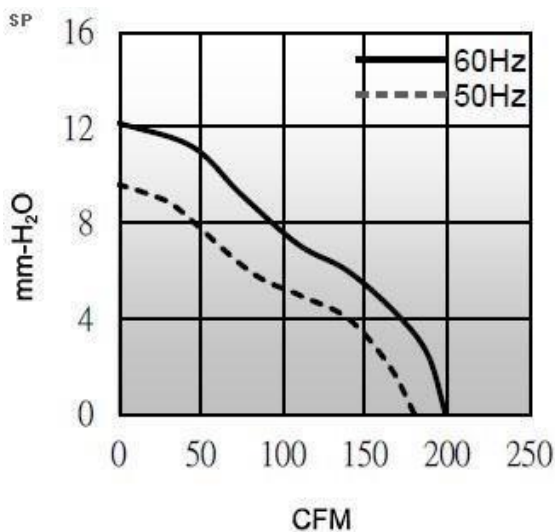
■ General Specifications

- Motor : Singal phase induction capacitor motor
- Frame & Impller :Al Die-casting & PBT plsatic
- Storage temperature : -40°C to +75°C
- Operating temperature : -10°C to +60°C

■ Major Characteristic Parameters

品牌	轴承	电压	频率	功率	转速	风量	静压	噪音		
型号	B/S	V	HZ	W	RPM	m3/mi n	CFM	mm-H2O	In-H2O	dba
SP172B11H-50AL	B / S	110	50/60	35/32	2700/3000	5.09/5.66	180/200	9.6/12.2	0.38/0.48	50/52
SP172B22H-50AL	B / S	220	50/60	35/32	2700/3000	5.09/5.66	180/200	9.6/12.2	0.38/0.48	50/52
SP172B11H-50AT	B / S	110	50/60	35/32	2700/3000	5.09/5.66	180/200	9.6/12.2	0.38/0.48	50/52
SP172B22H-50AT	B / S	220	50/60	35/32	2700/3000	5.09/5.66	180/200	9.6/12.2	0.38/0.48	50/52

*Bearing system B: Two Ball Bearing S: Sleeve Bearing



unit:mm