

□ 25 cooling fan ×25×10mm



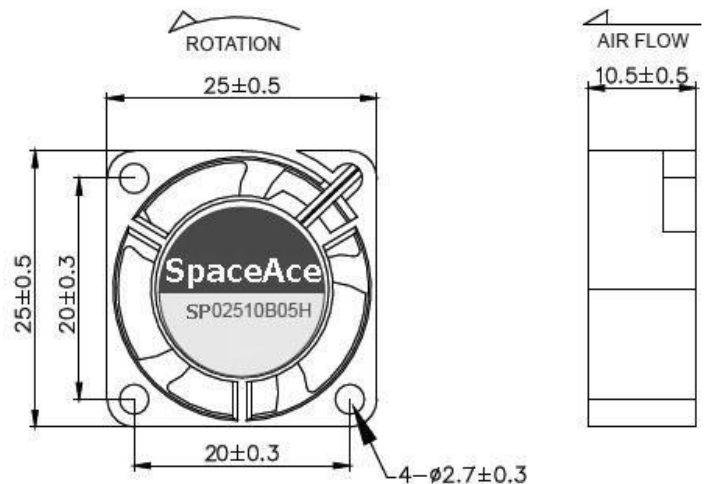
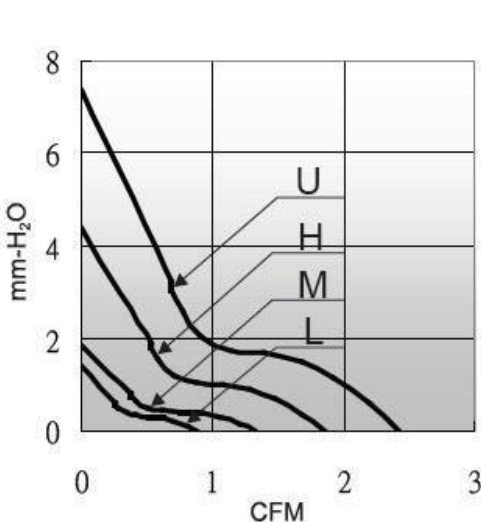
■ General Specifications

- Motor : 6 Poles brushless DC motor
- Frame & Impeller: Plastic (UL 94V-0)
- Storage temperature : -40° to +75°
- Operating temperature : -10° to +70°

■ Major Characteristic Parameters

品牌	轴承	电压	启动电压	电流	功率	转速	风量	静压	噪音		
型号	B/S	V	V	A	W	RPM	m ³ /min	CFM	mm-H ₂ O	In-H ₂ O	dba
SP25B05L-10DL	B/S	5	4.5~5.5	0.09	0.45	7000	0.034	1.21	4.18	0.085	19.6
SP25B12L-10DL	B/S	12	7.0~13.2	0.03	0.36	7000	0.034	1.21	4.18	0.085	19.6
SP25B05M-10DL	B/S	5	4.5~5.5	0.13	0.65	10000	0.056	1.99	5.97	0.176	22.8
SP25B12M-10DL	B/S	12	6.0~13.8	0.05	0.60	10000	0.056	1.99	5.97	0.176	22.8
SP25B05H-10DL	B/S	5	4.5~5.5	0.17	0.85	13000	0.067	2.38	7.76	0.290	25.2
SP25B12H-10DL	B/S	12	6.0~13.8	0.08	0.96	13000	0.067	2.38	7.76	0.290	25.2
SP25B05U-10DL	B/S	5	4.5~5.5	0.23	1.15	15000	0.084	2.98	7.98	0.314	28.9
SP25B12U-10DL	B/S	12	6.0~13.8	0.10	1.20	15000	0.084	2.98	7.98	0.314	28.9

*Bearing system B: Two Ball Bearing S: Sleeve Bearing



unit:mm