

□ 25 cooling fan

×25×07mm



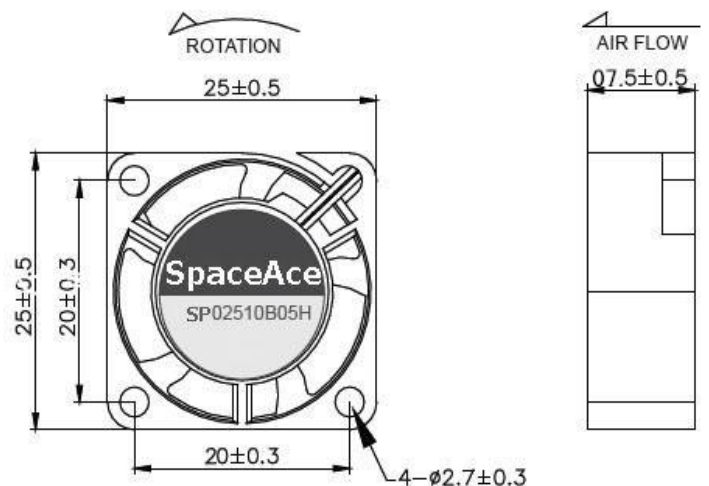
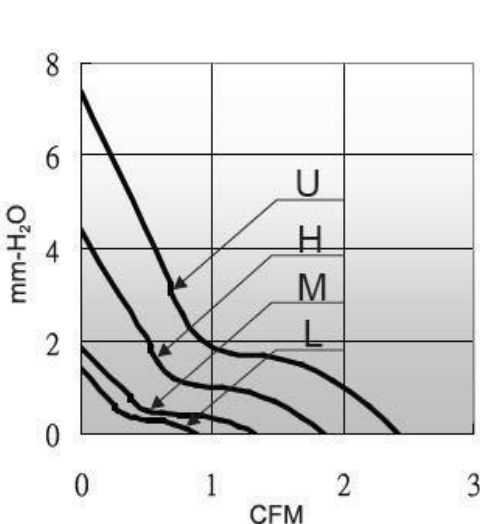
General Specifications

- Motor : 6 Poles brushless DC motor
- Frame & Impeller: Plastic (UL 94V-0)
- Storage temperature : -40° to +75°
- Operating temperature : -10° to +70°

Major Characteristic Parameters

品牌	轴承	电压	启动电压	电流	功率	转速	风量	静压	噪音		
型号	B/S	V	V	A	W	RPM	m ³ /min	CFM	mm-H ₂ O	In-H ₂ O	dba
SP25S05L-07DL	S	5	4.5~5.5	0.11	0.55	7000	0.035	1.22	2.16	0.085	19.6
SP25S12L-07DL	S	12	7.0~13.2	0.03	0.36	7000	0.035	1.22	2.16	0.085	19.6
SP25S05M-07DL	S	5	4.5~5.5	0.17	0.85	10000	0.044	1.55	3.10	0.122	23.5
SP25S12M-07DL	S	12	6.0~13.8	0.06	0.72	10000	0.044	1.55	3.10	0.122	23.5
SP25S05H-07DL	S	5	4.5~5.5	0.23	1.15	14000	0.054	1.90	3.80	0.150	26.4
SP25S12H-07DL	S	12	6.0~13.8	0.09	1.08	14000	0.054	1.90	3.80	0.150	26.4
SP25S05U-07DL	S	5	4.5~5.5	0.30	1.50	15000	0.080	2.81	4.50	0.177	31.2
SP25S12U-07DL	S	12	6.0~13.8	0.12	1.12	15000	0.080	2.81	4.50	0.177	31.2

*Bearing system B: Two Ball Bearing S: Sleeve Bearing



unit:mm