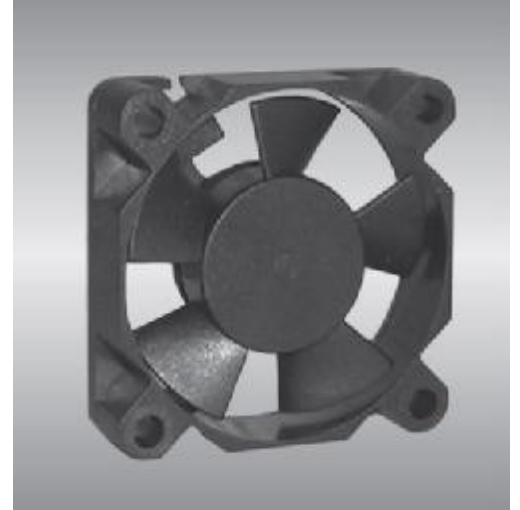


35 cooling fan

× 35 × 10mm



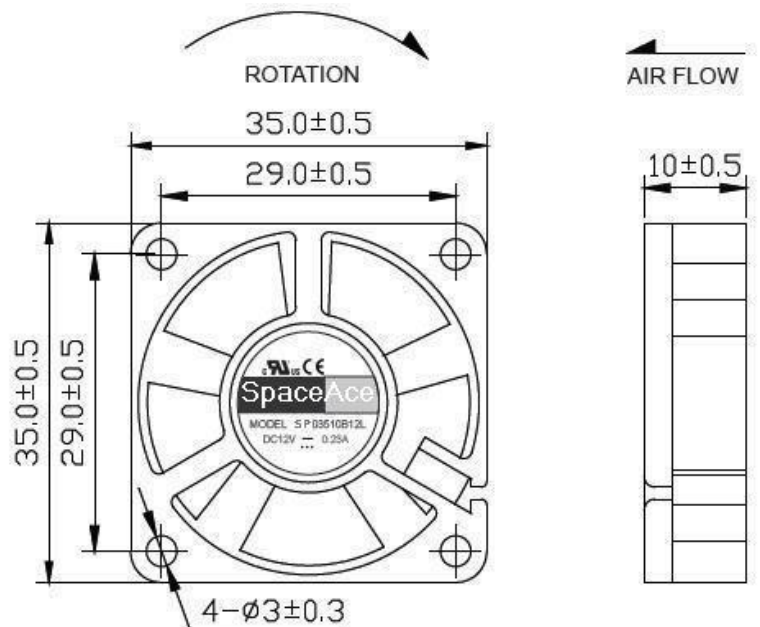
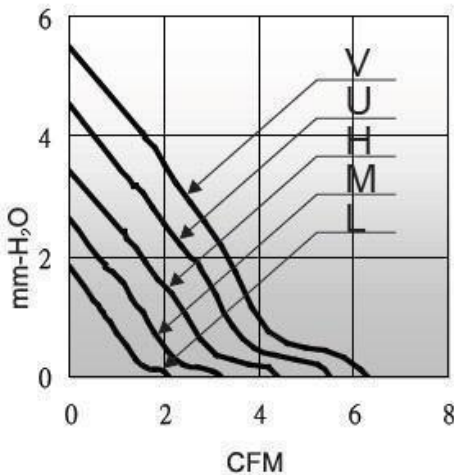
General Specifications

- Motor : 6 Poles brushless DC motor
- Frame & Impeller: Plastic (UL 94V-0)
- Storage temperature : -40° to +75°
- Operating temperature : -10° to +70°

Major Characteristic Parameters

品牌	轴承	电压	启动电压	电流	功率	转速	风量	静压	噪音		
型号	B/S	V	V	A	W	RPM	m3/min	CFM	mm-H ₂ O	In-H ₂ O	dba
SP35B05L-10DL	B/S	5	4.5~5.5	0.05	0.25	5000	0.06	2.10	1.8	0.07	18.0
SP35B05M-10DL	B/S	5	4.5~5.5	0.06	0.30	6000	0.08	2.72	2.6	0.10	20.0
SP35B05H-10DL	B/S	5	4.5~5.5	0.07	0.35	7000	0.14	4.96	3.5	0.14	23.0
SP35B12H-10DL	B/S	12	7.0~13.2	0.03	0.36	7000	0.14	4.96	3.5	0.14	23.0
SP35B05U-10DL	B/S	5	4.5~5.5	0.08	0.40	8000	0.16	5.51	4.5	0.18	25.0
SP35B12U-10DL	B/S	12	7.0~13.2	0.04	0.48	8000	0.16	5.51	4.5	0.18	25.0
SP35B05HU-10DL	B/S	5	4.5~5.5	0.10	0.50	9000	0.18	6.30	5.5	0.22	28.0
SP35B12HU-10DL	B/S	12	7.0~13.2	0.07	0.84	9000	0.18	6.30	5.5	0.22	28.0

*Bearing system B: Two Ball Bearing S: Sleeve Bearing



unit:mm