

40 cooling fan ×40×10mm



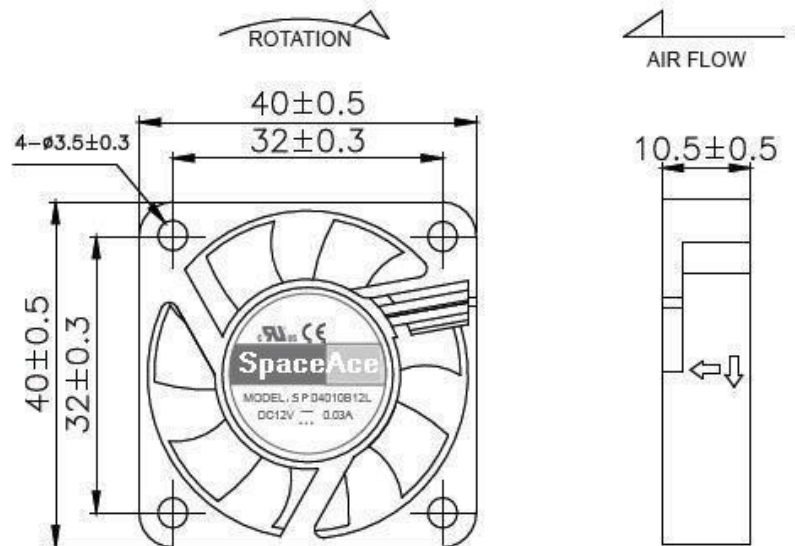
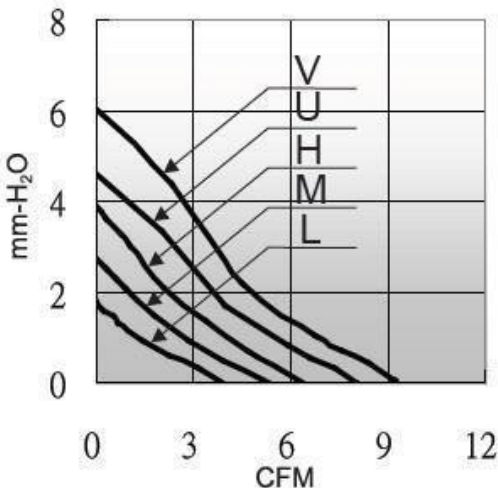
General Specifications

- Motor : 6 Poles brushless DC motor
- Frame & Impeller: Plastic (UL 94V-0)
- Storage temperature : -40° to +75°
- Operating temperature : -10° to +70°

Major Characteristic Parameters

品牌	轴承	电压	启动电压	电流	功率	转速	风量	静压	噪音		
型号	B/S	V	V	A	W	RPM	m ³ /min	CFM	mm-H ₂ O	In-H ₂ O	dba
SP40B05L-10DL	B/S	5	4.5~5.5	0.09	0.45	4000	0.11	3.91	1.80	0.07	21.0
SP40B12L-10DL	B/S	12	7.0~13.2	0.05	0.60	4000	0.11	3.91	1.80	0.07	21.0
SP40B24L-10DL	B/S	24	14.0~24.6	0.03	0.72	4000	0.11	3.91	1.80	0.07	21.0
SP40B05M-10DL	B/S	5	4.5~5.5	0.13	0.65	5000	0.15	5.30	2.70	0.11	25.0
SP40B12M-10DL	B/S	12	7.0~13.2	0.06	0.72	5000	0.15	5.30	2.70	0.18	25.0
SP40B24M-10DL	B/S	24	14.0~24.6	0.04	0.96	5000	0.15	5.30	2.70	0.18	25.0
SP40B05H-10DL	B/S	5	4.5~5.5	0.16	0.80	6000	0.18	6.36	3.90	0.15	29.0
SP40B12H-10DL	B/S	12	7.0~13.2	0.07	0.84	6000	0.18	6.36	3.90	0.15	29.0
SP40B24H-10DL	B/S	24	14.0~24.6	0.06	1.44	6000	0.18	6.36	3.90	0.15	29.0
SP40B05U-10DL	B/S	5	4.5~5.5	0.22	1.10	7000	0.22	7.92	4.60	0.18	33.0
SP40B12U-10DL	B/S	12	7.0~13.2	0.10	1.20	7000	0.22	7.92	4.60	0.18	33.0
SP40B24U-10DL	B/S	24	14.0~24.6	0.08	1.92	7000	0.22	7.92	4.60	0.18	33.0
SP40B12HU-10DL	B/S	12	7.0~13.2	0.14	1.68	8000	0.26	9.05	6.00	0.24	38.0
SP40B24HU-10DL	B/S	24	14.0~24.6	0.09	2.16	8000	0.26	9.05	6.00	0.24	38.0

* Bearing system B: Two Ball Bearing S: Sleeve Bearing



unit:mm