

## 50 cooling fan ×50×20mm



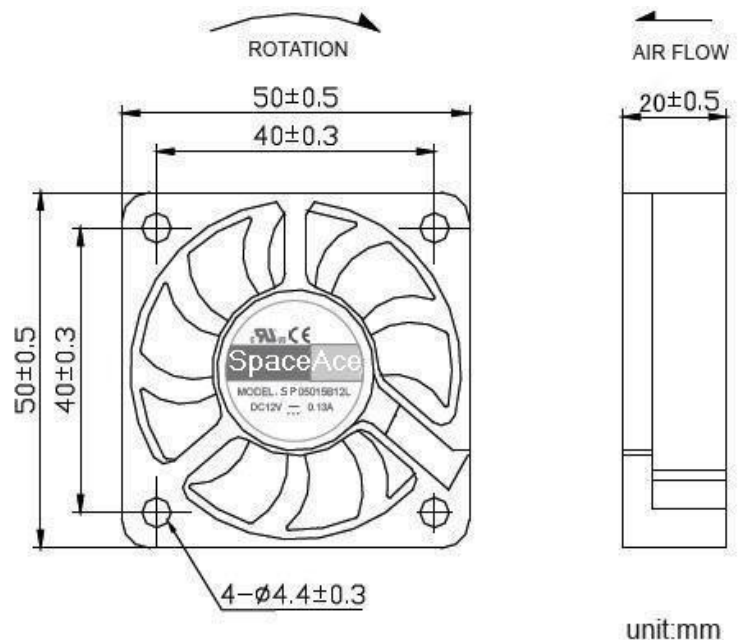
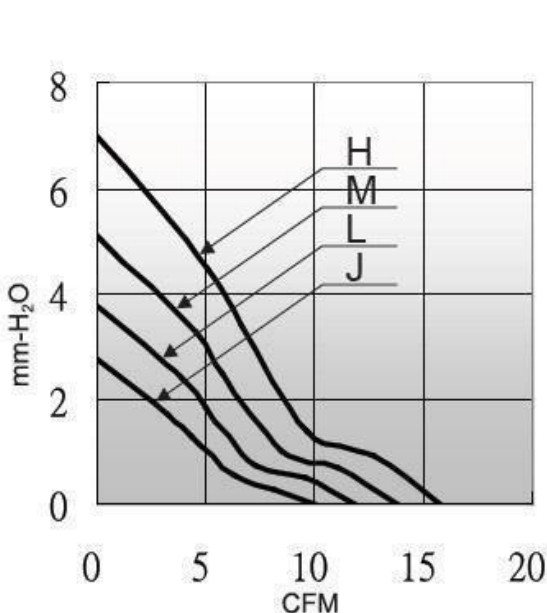
### General Specifications

- Motor : 6 Poles brushless DC motor
- Frame & Impeller: Plastic (UL 94V-0)
- Storage temperature : -40° to +75°
- Operating temperature : -10° to +70°

### Major Characteristic Parameters

品牌	轴承	电压	启动电压	电流	功率	转速	风量	静压	噪音		
型号	B/S	V	V	A	W	RPM	m3/min	CFM	mm-H <sub>2</sub> O	In-H <sub>2</sub> O	dba
SP50B05L-20DL	B / S	5	4.5~5.5	0.14	0.70	4000	0.31	10.98	2.42	0.10	25.0
SP50B12L-20DL	B / S	12	7.0~13.2	0.06	0.72	4000	0.31	10.98	2.42	0.10	25.0
SP50B24L-20DL	B / S	24	14.0~26.4	0.05	1.20	4000	0.31	10.98	2.42	0.10	25.0
SP50B05M-20DL	B / S	5	4.5~5.5	0.33	1.65	5600	0.45	15.79	4.62	0.18	33.0
SP50B12M-20DL	B / S	12	7.0~13.2	0.07	0.84	4800	0.38	13.39	3.48	0.14	28.0
SP50B24M-20DL	B / S	24	14.0~26.4	0.06	1.44	4800	0.38	13.39	3.48	0.14	28.0
SP50B05H-20DL	B / S	5	4.5~5.5	0.20	1.00	4800	0.38	13.39	3.48	0.14	28.0
SP50B12H-20DL	B / S	12	7.0~13.2	0.10	1.20	5600	0.45	15.79	4.62	0.18	33.0
SP50B24H-20DL	B / S	24	14.0~26.4	0.07	1.68	5600	0.45	15.79	4.62	0.18	33.0
SP50B12U-20DL	B / S	12	7.0~13.2	0.14	1.68	6400	0.52	18.30	6.44	0.25	37.0
SP50B24U-20DL	B / S	24	14.0~26.4	0.09	2.16	6400	0.52	18.30	6.44	0.25	37.0

\*Bearing system B: Two Ball Bearing S: Sleeve Bearing



unit:mm