

80 cooling fan ×80×25mm



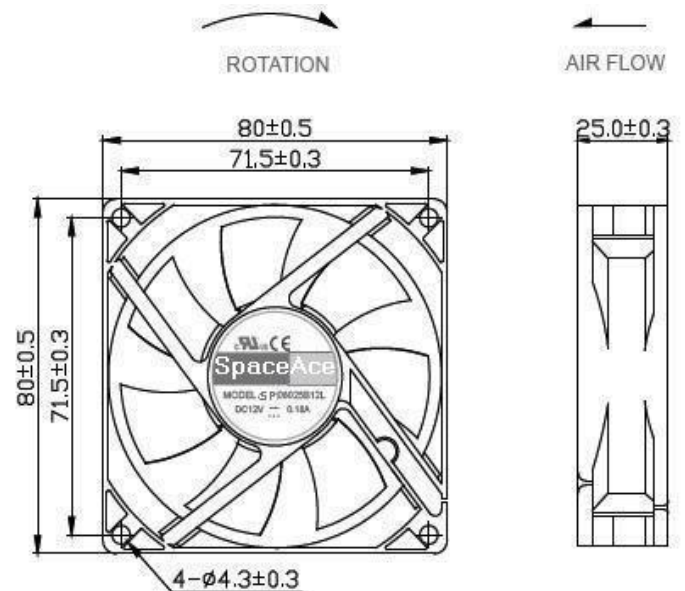
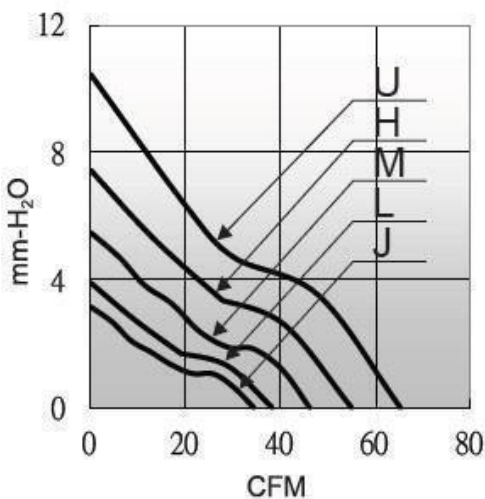
General Specifications

- Motor : 6 Poles brushless DC motor
- Frame & Impeller: Plastic (UL 94V-0)
- Storage temperature : -40° to +75°
- Operating temperature : -10° to +70°

Major Characteristic Parameters

品牌	轴承	电压	启动电压	电流	功率	转速	风量	静压	噪音		
型号	B/S	V	V	A	W	RPM	m ³ /min	CFM	mm-H ₂ O	In-H ₂ O	dba
SP80B12L-25DL	B / S	12	7.0~13.2	0.14	1.68	2700	0.98	34.6	3.10	0.12	28.0
SP80B24L-25DL	B / S	24	14.0~26.4	0.08	1.92	2700	0.98	34.6	3.10	0.12	28.0
SP80B48L-25DL	B / S	48	28.0~56.0	0.05	2.40	2700	0.98	34.6	3.10	0.12	28.0
SP80B12M-25DL	B / S	12	7.0~13.2	0.15	1.80	3000	1.09	38.5	3.90	0.15	31.0
SP80B24M-25DL	B / S	24	14.0~26.4	0.10	2.40	3000	1.09	38.5	3.90	0.15	31.0
SP80B48M-25DL	B / S	48	28.0~56.0	0.07	3.36	3000	1.09	38.5	3.90	0.15	31.0
SP80B12H-25DL	B / S	12	7.0~13.2	0.23	2.76	3600	1.31	46.1	5.40	0.21	36.0
SP80B24H-25DL	B / S	24	14.0~26.4	0.16	3.84	3600	1.31	46.1	5.40	0.21	36.0
SP80B48H-25DL	B / S	48	28.0~56.0	0.07	3.36	3600	1.31	46.1	5.40	0.21	36.0
SP80B12U-25DL	B / S	12	7.0~13.2	0.32	3.84	4300	1.56	55.0	7.40	0.29	40.0
SP80B24U-25DL	B / S	24	14.0~26.4	0.23	5.52	4300	1.56	55.0	7.40	0.29	40.0
SP80B48U-25DL	B / S	48	28.0~56.0	0.11	5.28	4300	1.56	55.0	7.40	0.29	40.0
SP80B12HU-25DL	B / S	12	7.0~13.2	0.52	6.24	5000	1.84	65.2	10.40	0.41	44.0

*Bearing system B: Two Ball Bearing S: Sleeve Bearing



unit:mm