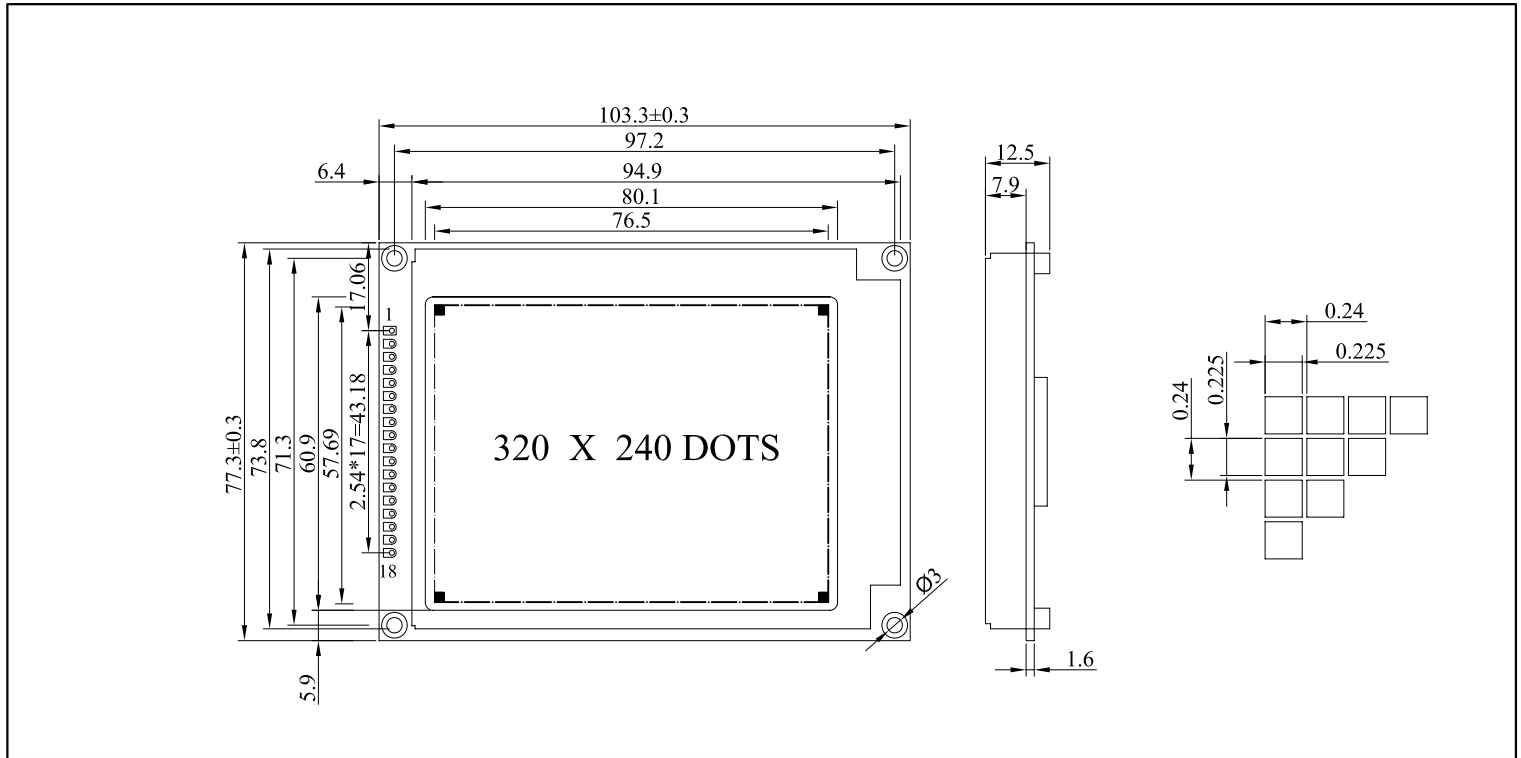


# 320240-2SL

1/240Duty 1/17Bias Blue mode STN Transflective



## ABSOLUTE MAXIMUM RATINGS

Item	Symbol	Min.	Max.	Unit
Supply Voltage(Logic)	Vdd - Vss	-0.3	3.3	V
Supply Voltage(LCD)	Vdd - V0	-0.3	20.0	V
Input Voltage	Vi	-0.3	Vdd + 0.3	V
Operating Temp.	Topr	-20	70	°C
Storage Temp.	Tstg	-30	80	°C

## MECHANICAL DATA

Item	Max.	Unit
Module Size (W X H X T)	103.3 X 77.3 X 12.5	mm
Viewing Area(W X H)	80.1 X 60.9	mm
Dot Pitch(W X H)	0.24 X 0.24	mm
Dot Size(W X H)	0.225 X 0.225	mm
View Angle	6 or 12 O'Clock	

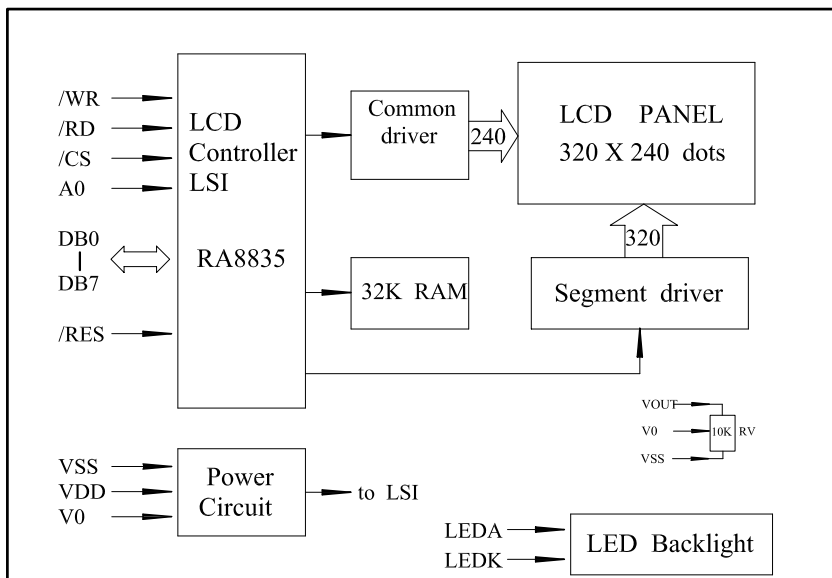
## ELECTRICAL CHARACTERISTICS (Vdd=5V±0.25V)

Item	Symbol	Test Condition	Min.	Typ.	Max.	Unit
Input High Voltage	Vih	--	2.0	--	Vdd	V
Input Low Voltage	Vil	--	-0.3	--	0.8	V
Output High Voltage	Voh	Ioh=-0.2mA	2.4	--	Vdd	V
Output Low Voltage	Vol	Iol=-1.6mA	0	--	0.4	V
Supply Current	Idd	Vdd=5.0V	--	7.0	15.0	mA
LCD Driving Voltage	Vdd - V0	Ta=25 °C	--	15.0	--	V

## PIN CONNECTIONS(J1)

Pin	Symbol	Level	Function
1	VSS	0V	Power GND
2	VDD	3.3V	Power supply for logic
3	V0	--	Input voltage for LCD driving
4	/WR	L	Write signal
5	/RD	L	Read signal
6	/CS	L	Chip enable signal
7	A0	H/L	H: Instruction Code, L: Data
8	/RES	L	Reset signal
9	DB0	H/L	Data bit 0
10	DB1	H/L	Data bit 1
11	DB2	H/L	Data bit 2
12	DB3	H/L	Data bit 3
13	DB4	H/L	Data bit 4
14	DB5	H/L	Data bit 5
15	DB6	H/L	Data bit 6
16	DB7	H/L	Data bit 7
17	LEDA	5.0V	Power supply for LED backlight
18	LEDK	0V	

## BLOCK DIAGRAM



LCD Color	Backlight
Yellow Green	LED/Yellow Green (≤500mA)