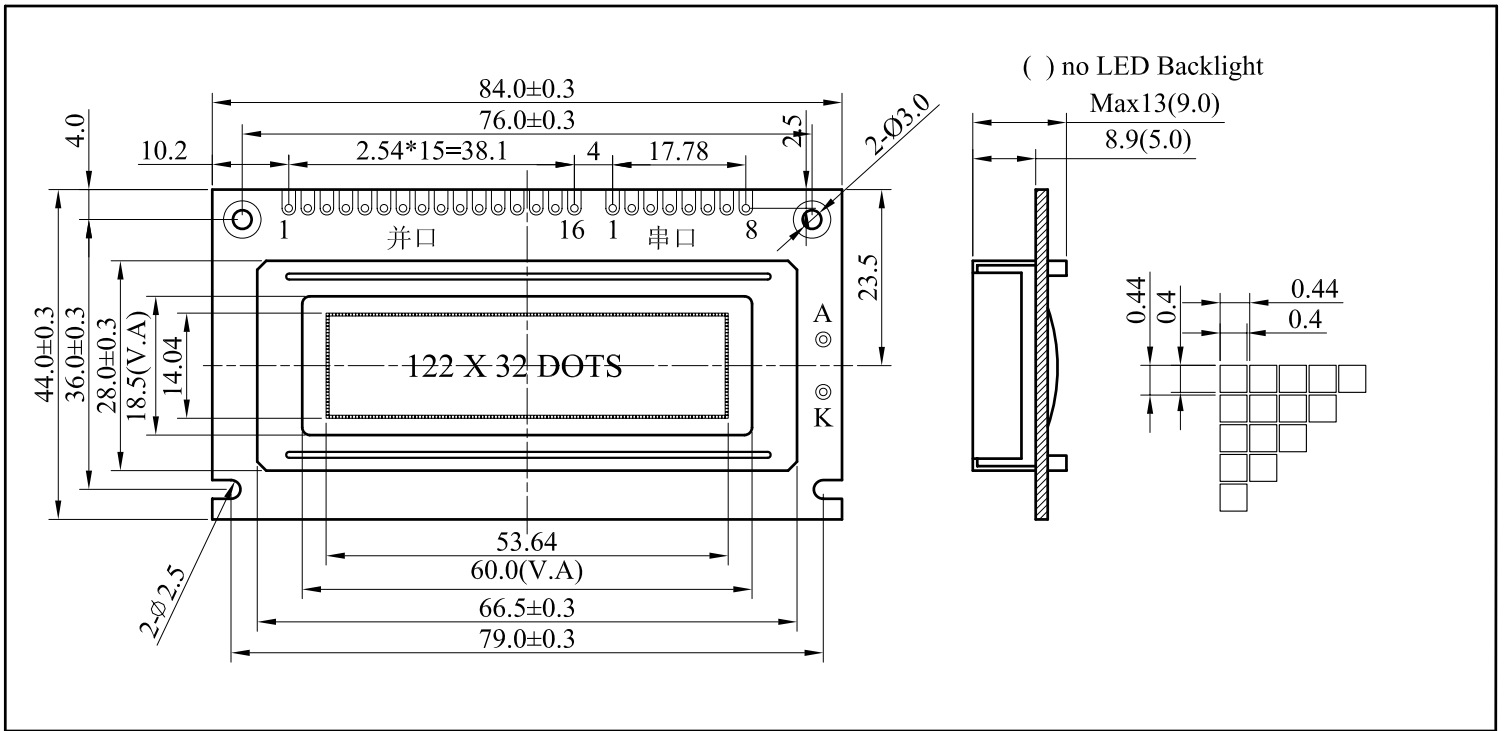


DM12232F

*122x32DOTS 1/32Duty 1/6Bias
Yellow-Green or Blue mode STN Transflective



ABSOLUTE MAXIMUM RATINGS

Item	Symbol	Min.	Max.	Unit
Supply Voltage(Logic)	Vdd - Vss	-0.3	5.5V	V
Supply Voltage(LCD)	Vdd - V0	-0.3	5.5V	V
Input Voltage	Vi	-0.3	Vdd + 0.3	V
Operating Temp.	Topr	-15	60	°C
Storage Temp.	Tstg	-20	70	°C

MECHANICAL DATA

Item	Max.	Unit
Module Size (W X H X T)	84.0 X 44.0 X 9.5/13.5	mm
Viewing Area(W X H)	60.0 X 18.5	mm
Dot Pitch(W X H)	0.44 X 0.44	mm
Dot Size(W X H)	0.40 X 0.40	mm
View Angle	6 or 12 O'Clock	

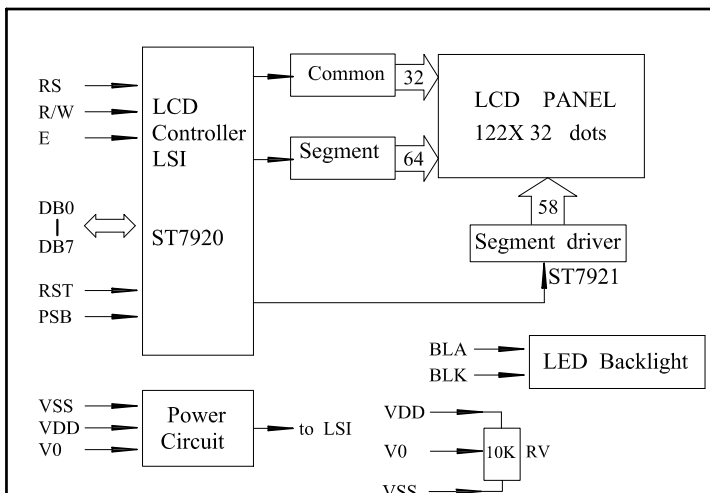
ELECTRICAL CHARACTERISTICS (Vdd=5V±0.25V)

Item	Symbol	Test Condition	Min.	Typ.	Max.	Unit
Input High Voltage	Vih	--	2.0	--	Vdd	V
Input Low Voltage	Vil	--	-0.3	--	0.8	V
Output High Voltage	Voh	Ioh=-0.2mA	2.4	--	Vdd	V
Output Low Voltage	Vol	Iol=-1.6mA	0	--	0.4	V
Supply Current	Idd	Vdd=5.0V	--	0.6	1.0	mA
LCD Driving Voltage	Vdd - V0	Ta=25°C	--	4.7	--	V

PIN CONNECTIONS

Pin	Symbol	Level	Function
1	VSS	0V	Power GND
2	VDD	3-5V	Power supply for logic
3	V0	--	Operation voltage for LCD
4	RS(CS)	H/L	H:Data L:Instruction code
5	R/W(SID)	H/L	H:Read L:Write
6	E(CLK)	H/L	Enable signal
7	DB0	H/L	Data bus line
14	DB7		
15	LED+	+5V	Power supply for LED backlight
16	LED-	0V	

BLOCK DIAGRAM



1	VSS	0V	电源地
2	VDD	3-5V	电源正
3	V0	--	对比度调节
4	CLK	H/L	串行同步时钟, 上升沿时读取SID数据
5	SID	H/L	串行数据输入
6	CS	H/L	模块片选端, 高电压有效
7	LED+	+5V	背光电源
8	LED-	0V	

LCD Type

LCD Color	Backlight
Yellow Green	LED/Yellow Green/4.2V (≤150mA)
Blue	LED/White /3.1V (≤50mA)