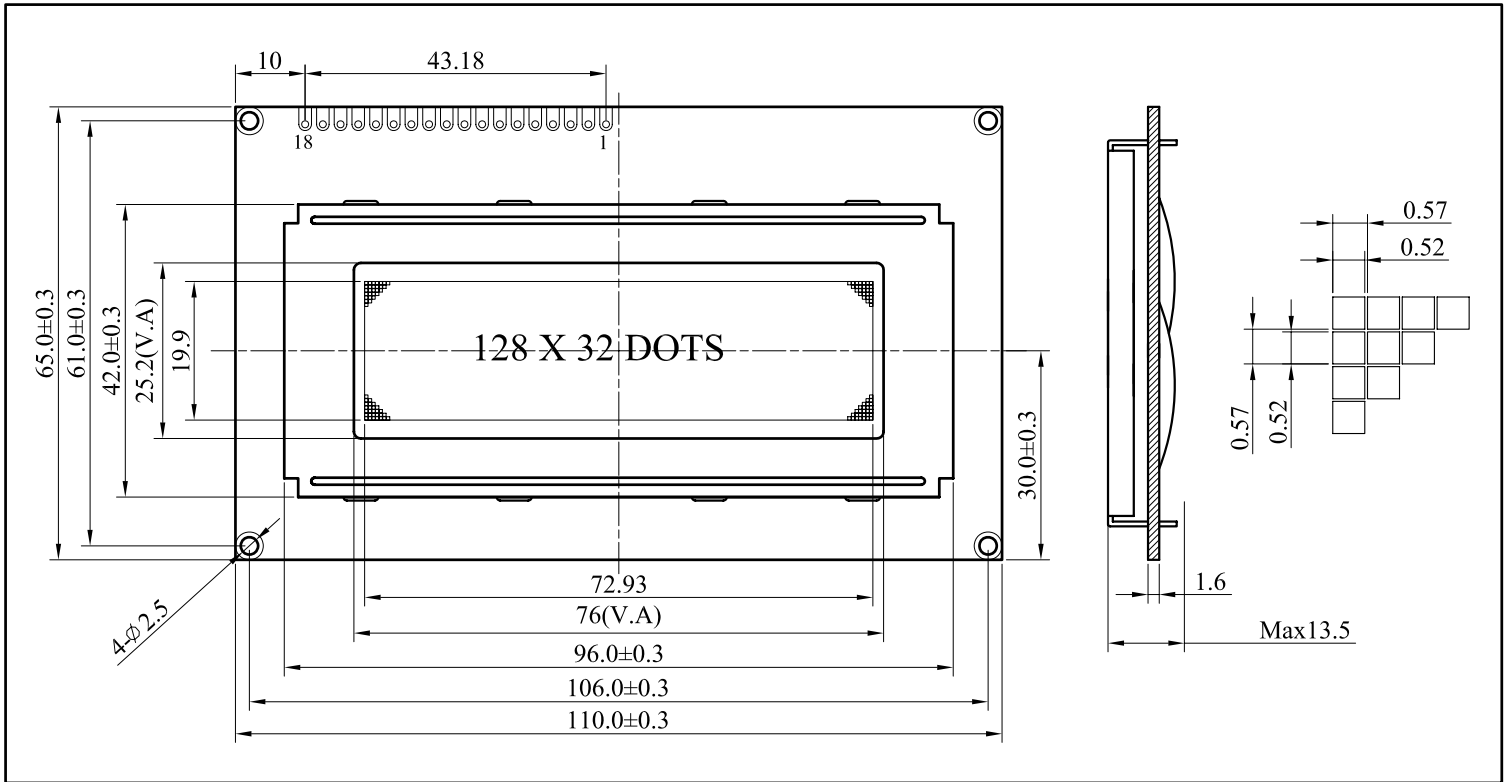


# DM12832D

\*128x32DOTS 1/32Duty 1/6Bias  
Yellow-Green or Blue mode STN Transflective



## ABSOLUTE MAXIMUM RATINGS

Item	Symbol	Min.	Max.	Unit
Supply Voltage(Logic)	Vdd - Vss	-0.3	5.5	V
Supply Voltage(LCD)	Vdd - V0	-0.3	5.5	V
Input Voltage	Vi	-0.3	Vdd + 0.3	V
Operating Temp.	Topr	-20	70	°C
Storage Temp.	Tstg	-30	80	°C

## MECHANICAL DATA

Item	Max.	Unit
Module Size (W X H X T)	110.0 X 65.0 X 13.5	mm
Viewing Area(W X H)	76.0 X 25.2	mm
Dot Pitch(W X H)	0.57 X 0.57	mm
Dot Size(W X H)	0.52 X 0.52	mm
View Angle	6 or 12 O'Clock	

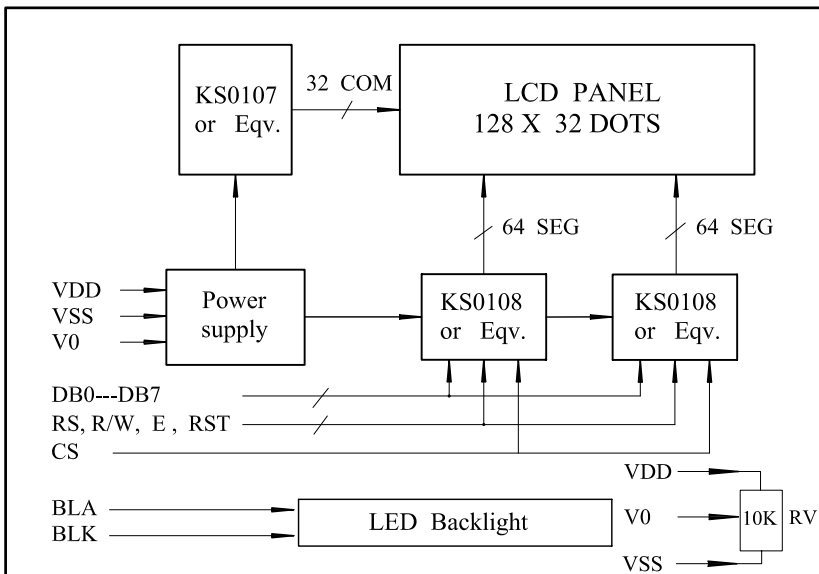
## ELECTRICAL CHARACTERISTICS (Vdd=5V±0.25V)

Item	Symbol	Test Condition	Min.	Typ.	Max.	Unit
Input High Voltage	Vih	--	2.0	--	Vdd	V
Input Low Voltage	Vil	--	-0.3	--	0.8	V
Output High Voltage	Voh	Ioh=-0.2mA	2.4	--	Vdd	V
Output Low Voltage	Vol	Iol=-1.6mA	0	--	0.4	V
Supply Current	Idd	Vdd=5.0V	--	5.0	8.0	mA
LCD Driving Voltage	Vdd - V0	Ta=25 °C	--	4.7	--	V

## PIN CONNECTIONS

Pin	Symbol	Level	Function
1	V0	--	Operation voltage for LCD
2	VDD	+5V	Power supply for logic
3	VSS	0V	Power GND
4	E	H/L	Enable signal
5	RS	H/L	H:Data L:Instruction code
6	R/W	H/L	H:Read L:Write
7	RST	L	Reset signal, active"L"
8	CS	H/L	CS signal : "H" - left "L"- right
9	DB7	H/L	Data bus line
10	DB6	H/L	
11	DB5	H/L	
12	DB4	H/L	
13	DB3	H/L	
14	DB2	H/L	
15	DB1	H/L	
16	DB0	H/L	Power supply for LED backlight
17	LED-	0V	
18	LED+	+5V	

## BLOCK DIAGRAM



## LCD Type

LCD Color	Backlight
Yellow Green	LED/Yellow Green/4.2V (≦200mA)
Blue	LED/White /3.1V (≦100mA)