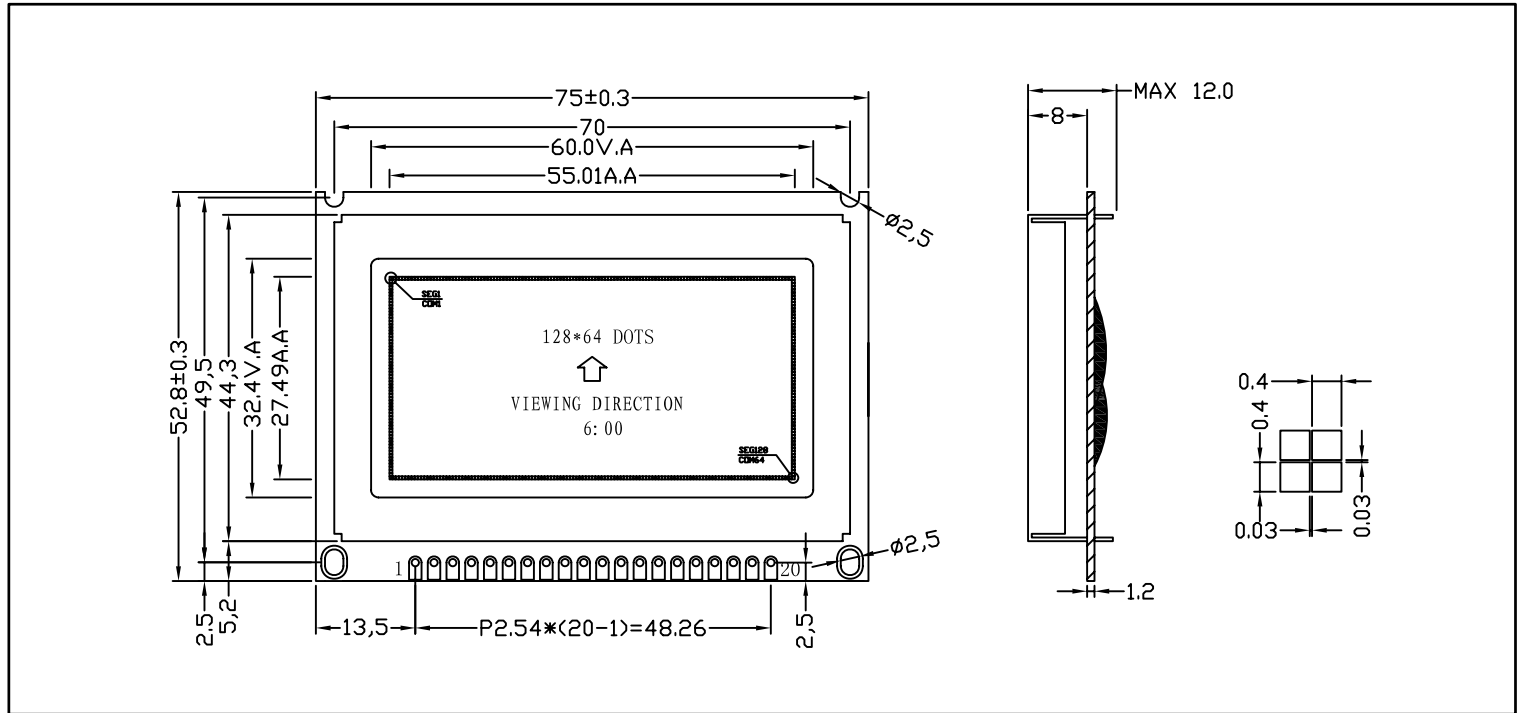


DM12864-18C

*128x64DOTS 1/64Duty 1/9Bias
Yellow-Green or Blue mode STN Transflective



ABSOLUTE MAXIMUM RATINGS

Item	Symbol	Min.	Max.	Unit
Supply Voltage(Logic)	Vdd - Vss	-0.3	6.0	V
Supply Voltage(LCD)	Vdd - V0	-0.3	10.0	V
Input Voltage	Vi	-0.3	Vdd + 0.3	V
Operating Temp	Topr	-20	70	°C
Storage Temp	Tstg	-30	80	°C

MECHANICAL DATA

Item	Max.	Unit
Module Size (W X H X T)	75.0 X 52.8 X 12.0	mm
Viewing Area(W X H)	60.0 X 32.0	mm
Dot Pitch(W X H)	0.43 X 0.43	mm
Dot Size(W X H)	0.40 X 0.40	mm
View Angle	6 0'Clock	

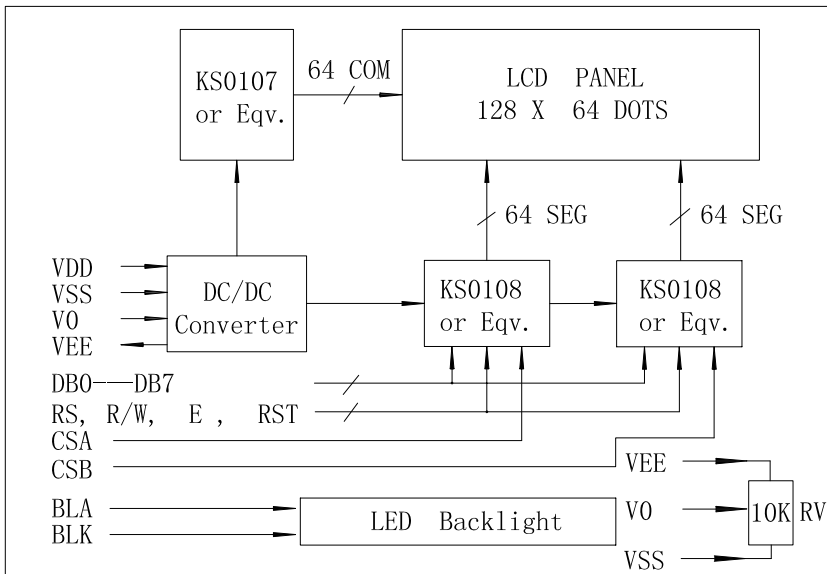
ELECTRICAL CHARACTERISTICS (Vdd=5V±0.25V)

Item	Symbol	Test Condition	Min.	Typ.	Max.	Unit
Input High Voltage	Vih	—	2.0	—	Vdd	V
Input Low Voltage	Vil	—	-0.3	—	0.8	V
Output High Voltage	Voh	Ioh=-0.2mA	2.4	—	Vdd	V
Output Low Voltage	Vol	Iol=-1.6mA	0	—	0.4	V
Supply Current	Idd	Vdd=5.0V	—	6.0	8.0	mA
LCD Driving Voltage	Vdd-V0	Ta=25° C	—	11.3	—	V

PIN CONNECTIONS

Pin	Symbol	Level	Function
1	VDD	+5V	Power supply for logic
2	VSS	0V	Power GND
3	V0	—	Operation voltage for LCD
4	DB0	H/L	Data bus line
5	DB1	H/L	
6	DB2	H/L	
7	DB3	H/L	
8	DB4	H/L	
9	DB5	H/L	
10	DB6	H/L	
11	DB7	H/L	
12	CSA	L	Chip selection for IC1, active"L"
13	CSB	L	Chip selection for IC2, active"L"
14	RST	L	Reset signal, active"L"
15	R/W	H/L	H:Read L:Write
16	RS	H/L	H:Data L:Instruction code
17	E	H/L	Enable signal
18	VEE	-5V	Output voltage for LCD driving
19	BLA	+5V	Power supply for LED backlight
20	BLK	0V	

BLOCK DIAGRAM



LCD Type

LCD Color	Backlight
Yellow Green	LED/Yellow Green/4.2V (<200mA)
Blue	LED/White /3.1V (<=120mA)