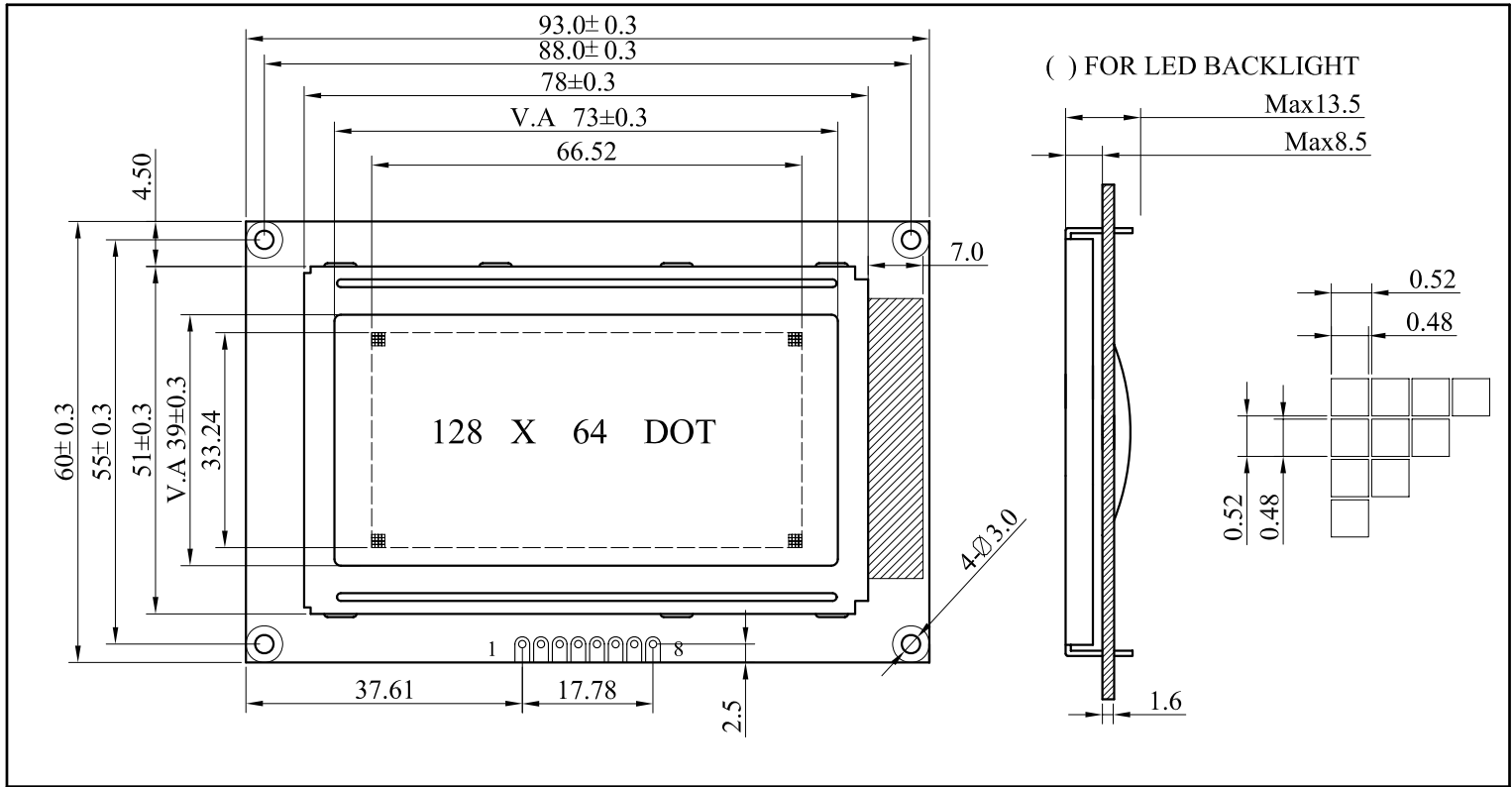


DM12864M -3

*128x64DOTS 1/64Duty 1/9Bias
Yellow-Green or Blue mode STN Transflective



ABSOLUTE MAXIMUM RATINGS

Item	Symbol	Min.	Max.	Unit
Supply Voltage(Logic)	Vdd - Vss	-0.3	5.5	V
Supply Voltage(LCD)	Vdd - V0	-0.3	9.0	V
Input Voltage	Vi	-0.3	Vdd + 0.3	V
Operating Temp.	Topr	-20	70	°C
Storage Temp.	Tstg	-30	80	°C

MECHANICAL DATA

Item	Max.	Unit
Module Size (W X H X T)	93.0 X 60.0 X 13.5	mm
Viewing Area(W X H)	73 X 39	mm
Dot Pitch(W X H)	0.52 X 0.52	mm
Dot Size(W X H)	0.48 X 0.48	mm
View Angle	6 or 12 O'Clock	

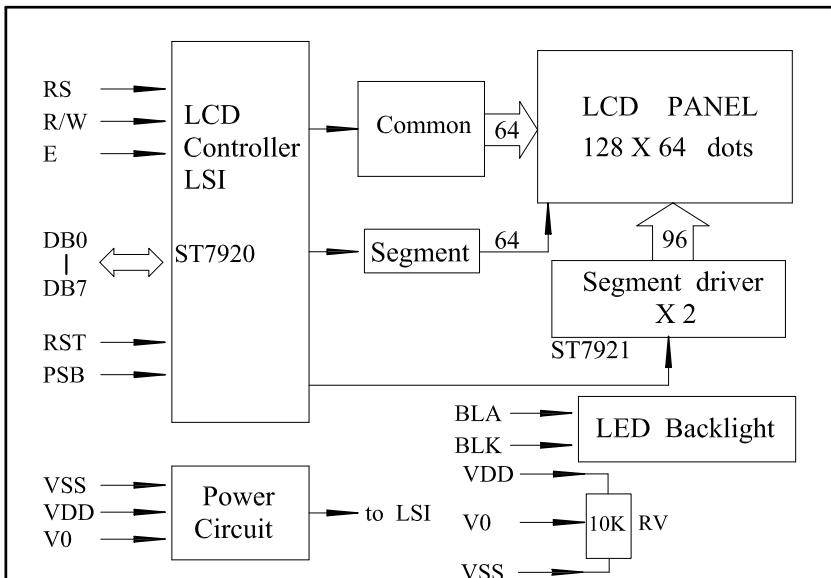
ELECTRICAL CHARACTERISTICS (Vdd=5V±0.25V)

Item	Symbol	Test Condition	Min.	Typ.	Max.	Unit
Input High Voltage	Vih	--	2.0	--	Vdd	V
Input Low Voltage	Vil	--	-0.3	--	0.8	V
Output High Voltage	Voh	Ioh=-0.2mA	2.4	--	Vdd	V
Output Low Voltage	Vol	Iol=-1.6mA	0	--	0.4	V
Supply Current	Idd	Vdd=5.0V	--	6.0	8.0	mA
LCD Driving Voltage	Vdd - V0	Ta=25°C	--	6.5	--	V

PIN CONNECTIONS

Pin	Symbol	Level	Function
1	VSS	0V	逻辑地
2	VDD	3.0 - 5.0V	模块电源正端
3	CS	H/L	片选信号
4	SID	H/L	串行数据端
5	CLK	H/L	串行同步时钟
6	RST	L	复位信号 L: 复位 H: 正常
7	BLA	+5V	背光电源端 (3.6V)
8	BLK	0V	

BLOCK DIAGRAM



LCD Type

LCD Color	Backlight
Yellow Green	LED/ White /3.1V(<60mA)
Yellow Green	LED/green/3.1V(<60mA)