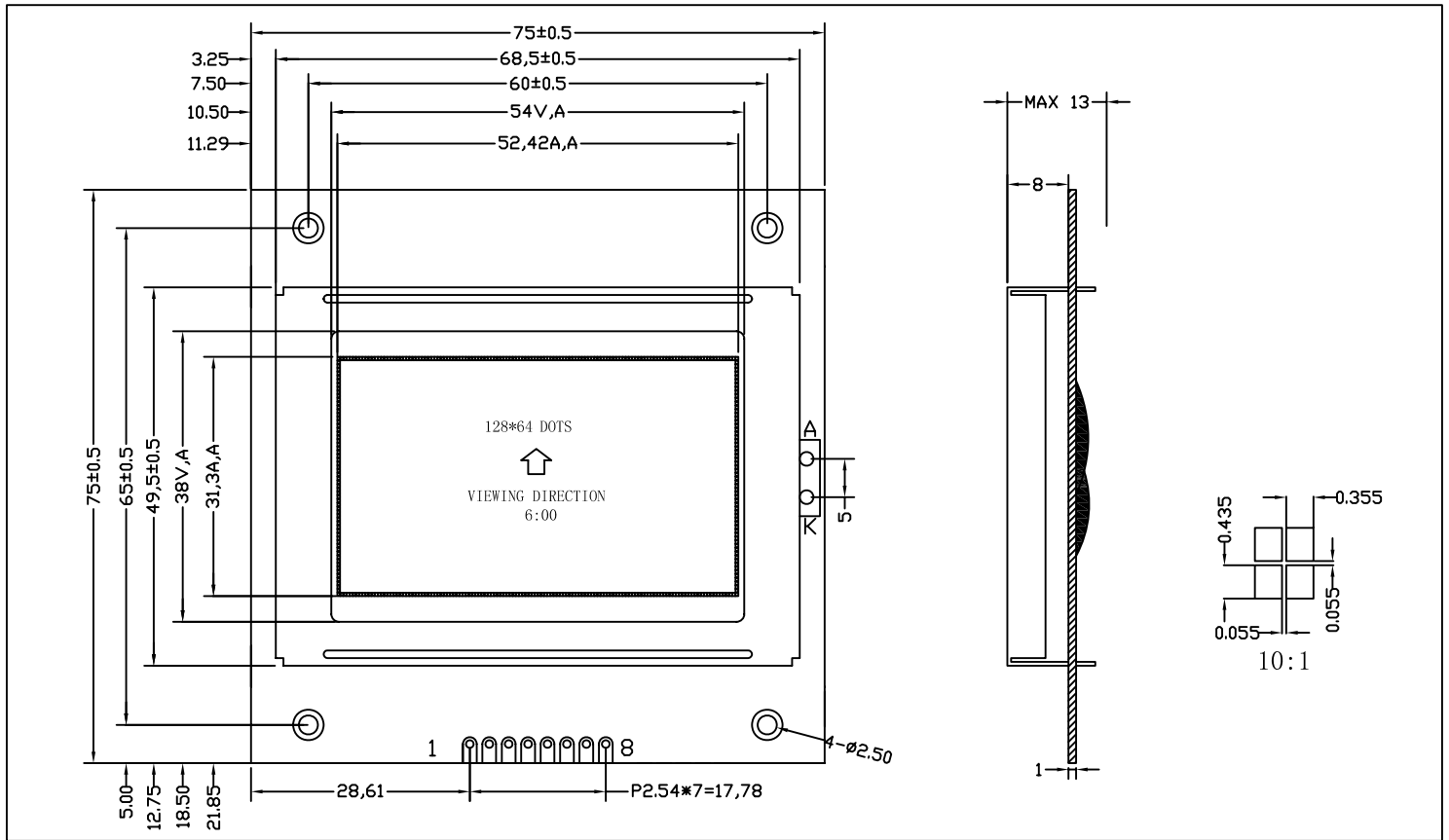


# DM12864S-18

\*128x64DOTS 1/64Duty 1/9Bias  
Yellow-Green mode STN Transflective



## 机械规格和特征/MECHANICAL SPECIFICATIONS & FEATURES

Item 项目	Normal Dimenaions 常规尺寸 (mm)	Feature 特征	
Module Size (W*H*T) 模块尺寸	75.0x75.0x13.0	LCD Type & Colour 液晶屏类型及颜色	STN:Yellow-Green STN:黄绿模式
View Area (W*H) 视域尺寸	54x38	View Angle 视角	6 O' clock 6:00视角
Dots x Dots (W*H) 点数	128x64	Display Type 显示类型	Positive Type 正向显示
Dots Size (W*H) 点尺寸	0.355x0.435	Control IC & Package 控制芯片及封装	7920 7921, COB
Dots Pitch (W*H) 点间距	0.41x0.49	Operating Temperature 工作温度	-20°C~70°C
Backlight 背光	LED Backlight	Storage Temperature 储存温度	-30°C~80°C

## 电参数/ELECTRECAL CHARACTERISTICS (工作电流为不含背光的液晶模块的工作电流/Supply current doesn't contain backlight)

Item/项目	Symbol/符号	Test condition/测试条件	Typ./典型值	Unit/单位
Operating Voltage/工作电压	Vdd	Ta=25°C	5.0	V
Supply Current/工作电流	Idd	Ta=25°C, Vdd=5.0V	0.5	Ma

## 管脚说明/INTERFACE CONNECTIONS

PIN	Symbol	Description (管脚描述)
1	GND	Ground for Logic/地
2	VDD	Power supply for Logic/逻辑电压
3	VO	Power supply for LCD drive/对比度调节
4	RS	Register selection/指令、数据寄存器选择
5	R/W	Read/Write selection/读写选择信号
6	E	Enable signal for LCM/使能信号
7	BLA	+5.0V
8	BLK	-0V

## 原理图/BLOAK DIAGRAM

