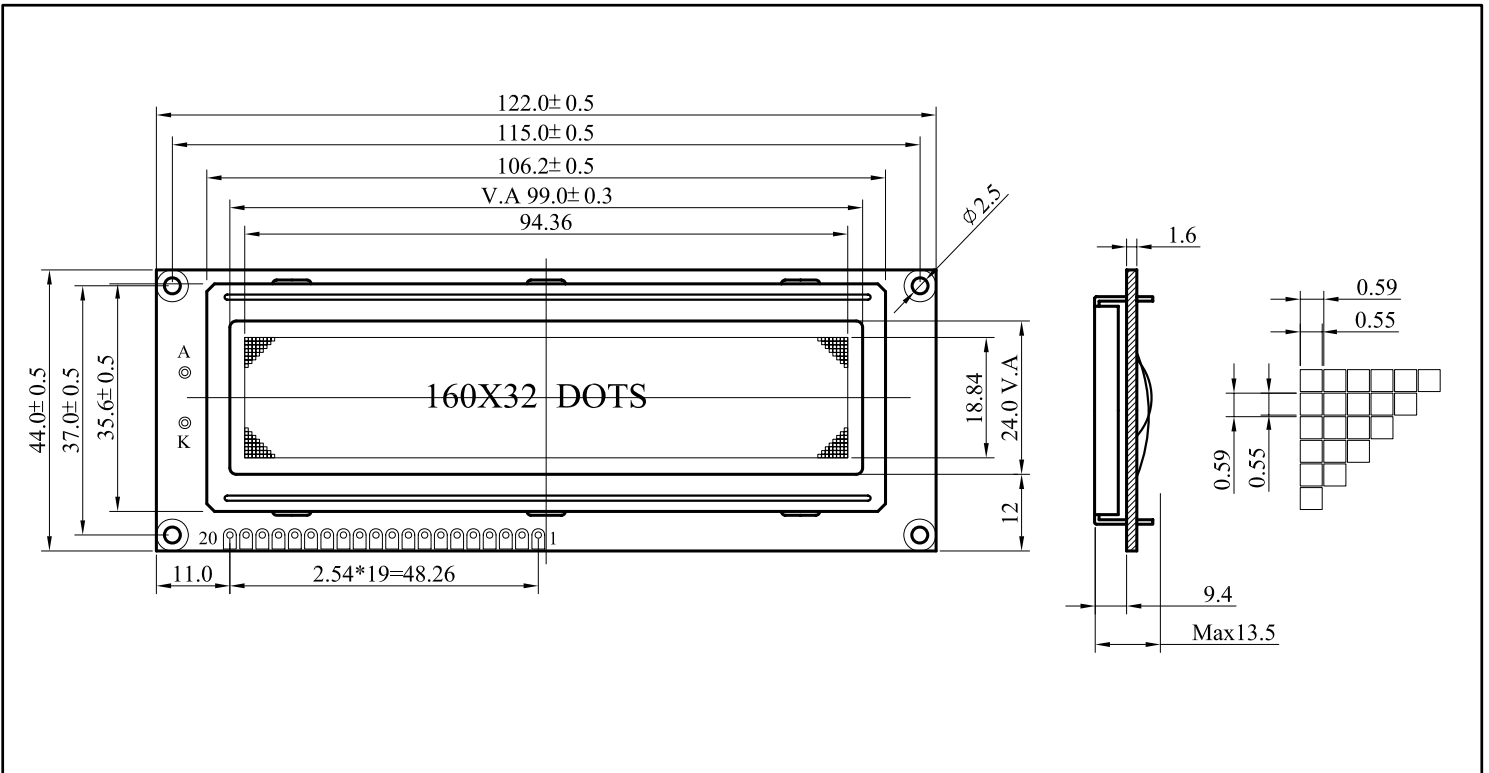


# DM16032B

\*160x32DOTS 1/32Duty 1/16Bias  
Yellow-Green or Blue mode STN Transflective



## ABSOLUTE MAXIMUM RATINGS

Item	Symbol	Min.	Max.	Unit
Supply Voltage(L logic)	Vdd - Vss	-0.3	5.5	V
Supply Voltage(LCD)	Vdd - V0	-0.3	9.0	V
Input Voltage	Vi	-0.3	Vdd + 0.3	V
Operating Temp.	Topr	-20	70	°C
Storage Temp.	Tstg	-30	80	°C

## MECHANICAL DATA

Item	Max.	Unit
Module Size (W X H X T)	122.0 X 44.0 X 13.5	mm
Viewing Area(W X H)	99.0 X 24.0	mm
Dot Pitch(W X H)	0.59 X 0.59	mm
Dot Size(W X H)	0.55 X 0.55	mm
View Angle	6 or 12 O'Clock	

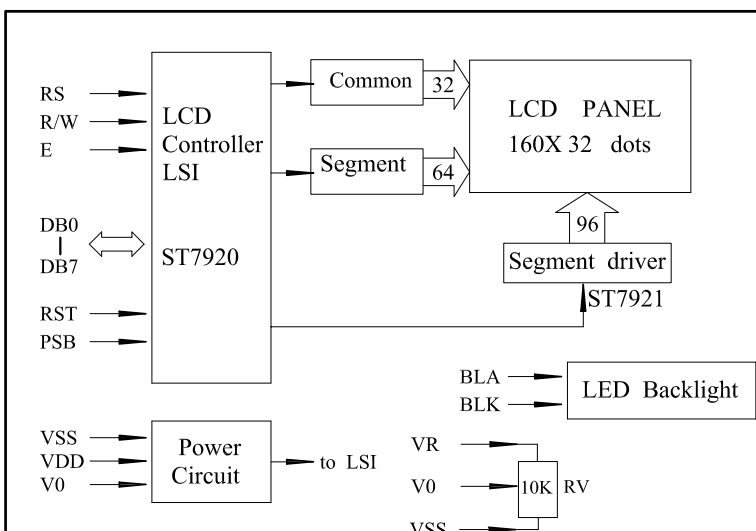
## ELECTRICAL CHARACTERISTICS (Vdd=5V±0.25V)

Item	Symbol	Test Condition	Min.	Typ.	Max.	Unit
Input High Voltage	Vih	--	2.0	--	Vdd	V
Input Low Voltage	Vil	--	-0.3	--	0.8	V
Output High Voltage	Voh	Ioh=-0.2mA	2.4	--	Vdd	V
Output Low Voltage	Vol	Iol=-1.6mA	0	--	0.4	V
Supply Current	Idd	Vdd=5.0V	--	5.0	8.0	mA
LCD Driving Voltage	Vdd - V0	Ta=25 °C	--	4.7	--	V

## PIN CONNECTIONS

Pin	Symbol	Level	Function
1	VSS	0V	Power GND
2	VDD	3.0 - 5.0V	Power supply for logic
3	V0	--	Operation voltage for LCD
4	RS(CS)	H/L	H:Data L:Instruction code
5	R/W(SID)	H/L	H:Read L:Write
6	E(CLK)	H/L	Enable signal
7	DB0	H/L	Data bus line
8	DB1	H/L	
9	DB2	H/L	
10	DB3	H/L	
11	DB4	H/L	
12	DB5	H/L	
13	DB6	H/L	
14	DB7	H/L	
15	PSB	H/L	H:Paraller mode L: Serial mode
16	NC	--	No connection
17	RST	L	Reset signal, active"L"
18	NC	--	No connection
19	BLA	+5V	Power supply for LED backlight
20	BLK	0V	

## BLOCK DIAGRAM



## LCD Type

LCD Color	Backlight
Yellow Green	LED/Yellow-green/4.2V(≤200mA)
Blue	LED/ White /3.1V(≤100mA)
Gray	LED/Blue/3.1V(≤120mA)