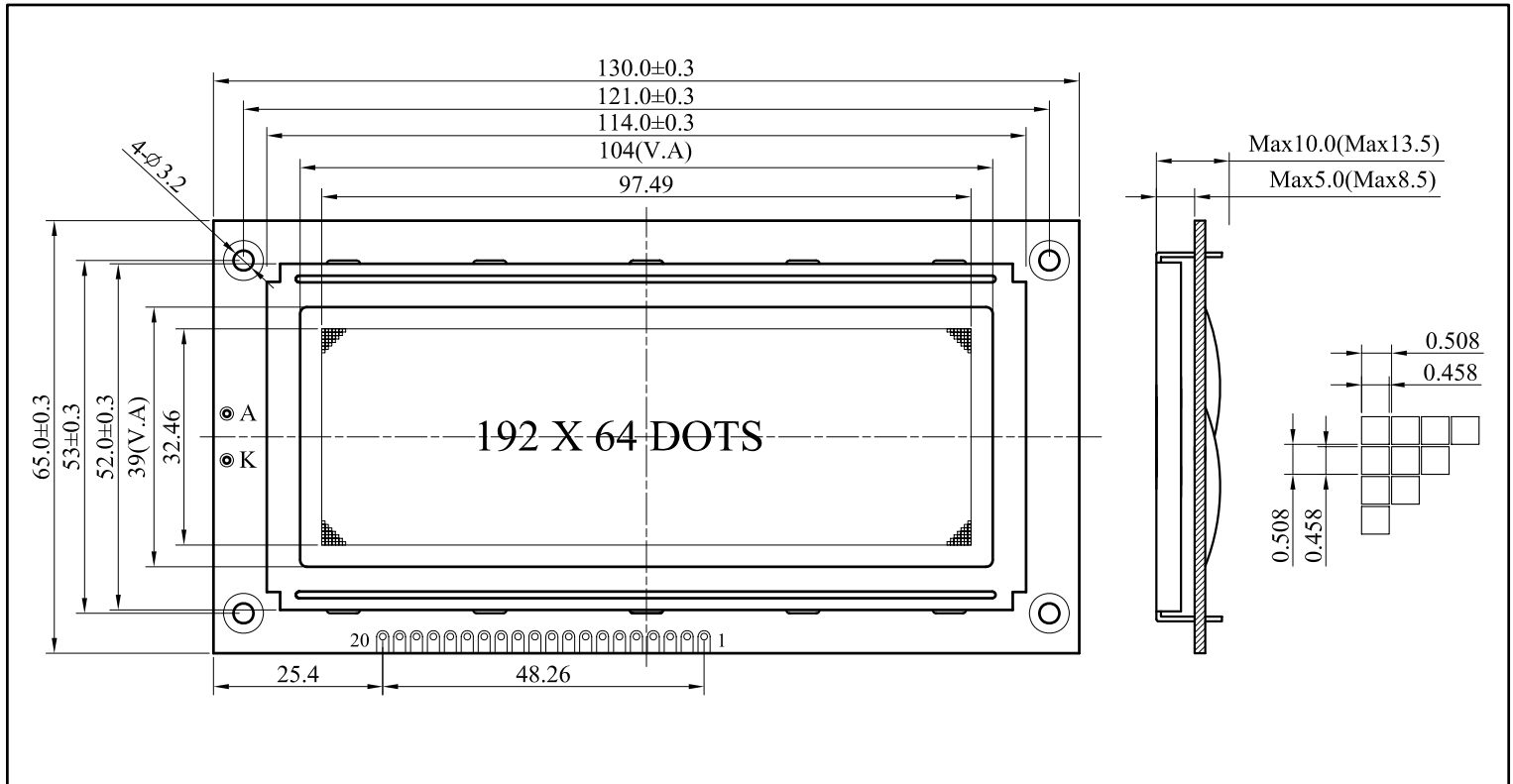


# DM19264A

\*192x64DOTS 1/64Duty 1/9Bias  
Yellow-Green or Blue mode STN Transflective



## ABSOLUTE MAXIMUM RATINGS

Item	Symbol	Min.	Max.	Unit
Supply Voltage(Logic)	Vdd - Vss	-0.3	5.5	V
Supply Voltage(LCD)	Vdd - V0	-0.3	13.0	V
Input Voltage	Vi	-0.3	Vdd + 0.3	V
Operating Temp.	Topr	-20	70	°C
Storage Temp.	Tstg	-30	80	°C

## MECHANICAL DATA

Item	Max.	Unit
Module Size (W X H X T)	130.0 X 65.0 X 13.5	mm
Viewing Area(W X H)	104.0 X 39.0	mm
Dot Pitch(W X H)	0.508 X 0.508	mm
Dot Size(W X H)	0.458 X 0.458	mm
View Angle	6 or 12 O'Clock	

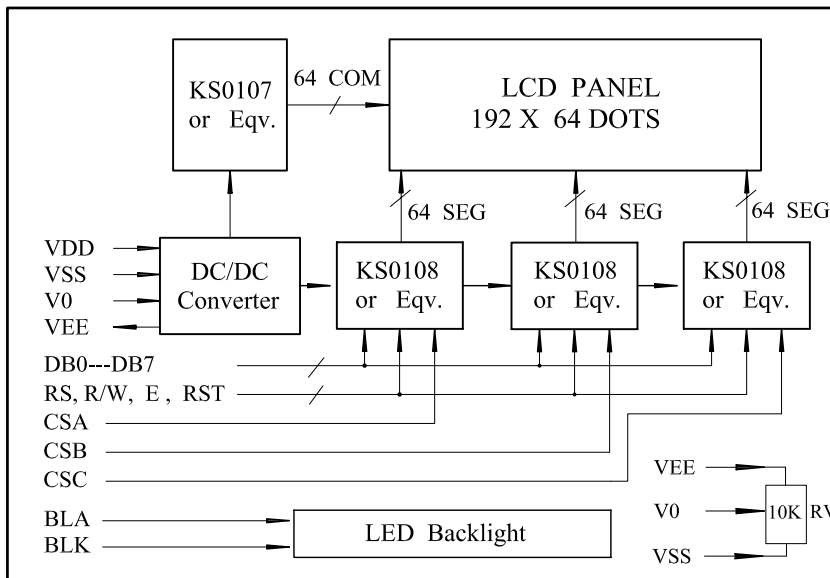
## ELECTRICAL CHARACTERISTICS (Vdd=5V±0.25V)

Item	Symbol	Test Condition	Min.	Typ.	Max.	Unit
Input High Voltage	Vih	--	2.0	--	Vdd	V
Input Low Voltage	Vil	--	-0.3	--	0.8	V
Output High Voltage	Voh	Ioh=-0.2mA	2.4	--	Vdd	V
Output Low Voltage	Vol	Iol=-1.6mA	0	--	0.4	V
Supply Current	Idd	Vdd=5.0V	--	8.0	10.0	mA
LCD Driving Voltage	Vdd - V0	Ta=25 °C	--	12.7	--	V

## PIN CONNECTIONS

Pin	Symbol	Level	Function
1	VSS	0V	Power GND
2	VDD	+5V	Power supply for logic
3	V0	--	Operation voltage for LCD
4	RS	H/L	H:Data L:Instruction code
5	R/W	H/L	H:Read L:Write
6	E	H/L	Enable signal
7	DB0	H/L	Data bus line
8	DB1	H/L	
9	DB2	H/L	
10	DB3	H/L	
11	DB4	H/L	
12	DB5	H/L	
13	DB6	H/L	
14	DB7	H/L	
15	CSA	L	Chip selection for IC1,active"L"
16	RST	L	Reset signal, active"L"
17	CSB	L	Chip selection for IC2,active"L"
18	CSC	L	Chip selection for IC2,active"L"
19	VEE	-10V	Output voltage for LCD driving
20	BLA	+5V	Power supply for LED backlight

## BLOCK DIAGRAM



## LCD Type

LCD Color	Backlight
Yellow Green	LED/Yellow Green/4.2V (≤300mA)
Blue	LED/White /3.1V (≤150mA)