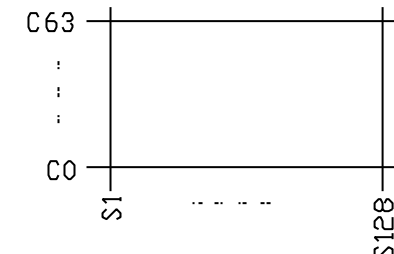
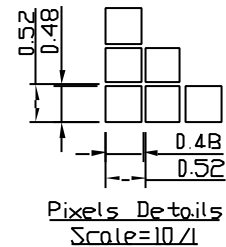
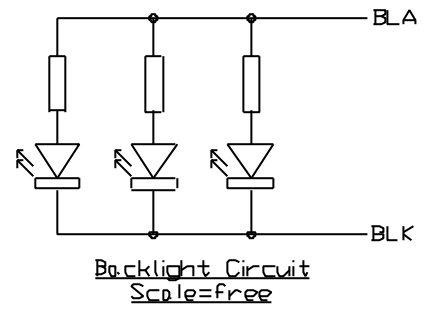


Terminal No.	Pin Name
1	VSS
2	VDD
3	NC
4	A0
5	R/W
6	E
7	DB0
8	DB1
9	DB2
10	DB3
11	DB4
12	DB5
13	DB6
14	DB7
15	NC
16	NC
17	/RST
18	NC
19	BLK
20	BLA



Wiring Details
(Top View)
Scale=free



- Note:
- *1. LCD Display Type : FSTN, Positive, Transmissive
 - *2. Viewing Direction : 6H
 - *3. Duty : 1/65; Bias : 1/9
 - *4. Operating Voltage : 5.0V
 - *5. Backlight Type : Green LED, 5.0V
 - *6. Operating Temperature : 0°C~50°C
 - *7. Storage Temperature : -10°C~60°C

深圳市科飞研科技有限公司

Dwg Title: **COG12864TM-18P**

Dwg No. 060119 Date 2007-03-21

Scale 6/5 Unit mm Tol. ±0.5

Drawn JACK Checked Approved