

G12864-10	128 DOTS×64 DOTS	1/64 DUTY	1/9 BIAS
------------------	-------------------------	------------------	-----------------

FEATURE:

LCD TYPE	STN/FSTN
LCM BACKLIGHT TYPE	LED BACKLIGHT
LCM CONTROLLER IC	BUILT IN S6B0108 OR EQUIVALENT
POWER SUPPLY FOR LCM	DC +5.0V OR +3.3V
LED BACKLIGHT INPUT	DC +5.0V OR +3.3V
EL BACKLIGHT INPUT	----
EL INVERTER	----
FL BACKLIGHT INPUT	-
FL INVERTER	-
LCM DIMENSION	113.0*53.0*13.5 mm
LCM VIEWING AREA	72.0×39.0 mm
LCD DOT SIZE	0.48×0.48 mm
LCD DOT PITCH	0.52×0.52 mm

3.ABSOLUTE MAXIMUM RATINGS:

ITEM	SYM	MIN	TYP	MAX	UNIT
OPERATING TEMP.	Top	-20	-	+70	
STORAGE TEMP.	Tst	-30	-	+80	
INPUT VOLTAGE	Vi	Vss	-	VDD	V
SUPPLY VOL. FOR LOGIC	VDD-VSS	-	-	7.0	V
SUPPLY VOL. FOR LCD	VDD-VEE	-	-	10.0	V

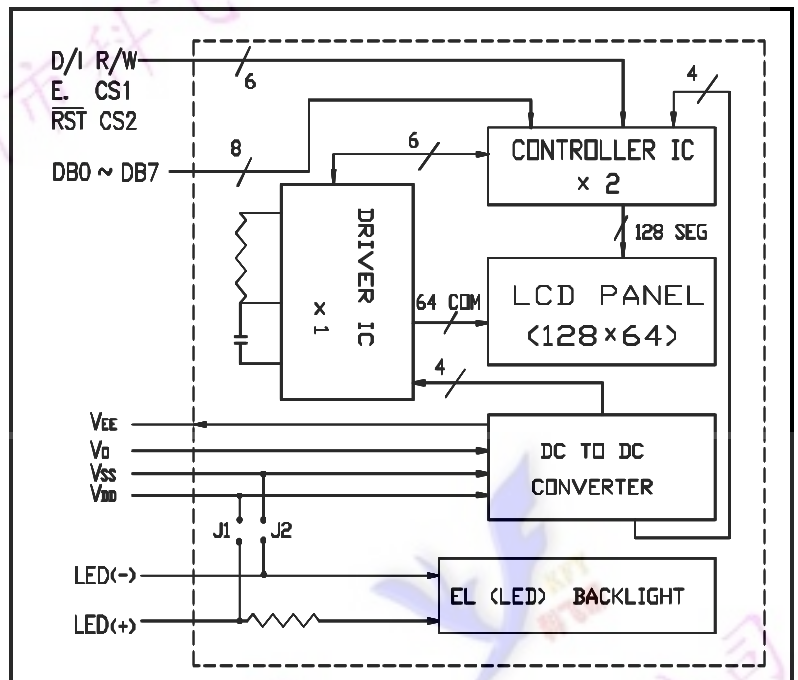
5.INTERFACE PIN CONNECTIONS:

NO	SYM	LEVEL	FUNCTION
1	Vss	-	0V
2	VDD	-	+5V
3	Vo	-	CONTRAST ADJ.
4	D/I	H/L	H:DATA, L:INSTRUCTION CODE
5	R/W	H/L	H:READ(LCD → MPU) L:WRITE(MPU → LCD)
6	E	H.H → L	ENABLE SIGNAL
7	DB0	H/L	DATA BIT0
8	DB1	H/L	DATA BIT1
9	DB2	H/L	DATA BIT2
10	DB3	H/L	DATA BIT3
11	DB4	H/L	DATA BIT4
12	DB5	H/L	DATA BIT5
13	DB6	H/L	DATA BIT6
14	DB7	H/L	DATA BIT7
15	CS1	H	CHIP SELECT SIGNAL FOR IC1
16	CS2	H	CHIP SELECT SIGNAL FOR IC2
17	RST	L	RESET SIGNAL
18	VEE	-	NEGATIVE VOLTAGE OUTPUT (-5.0V)
19	A(+)	+5.0V	BACKLIGHT(+)
20	K(-)	0V	BACKLIGHT(-)

2.ELECTRICAL CHARACTERISTICS:

ITEM	SYM	CONDITION	MIN	TYP	MAX	UNIT
SUPPLY VOLTAGE FOR LOGIC	VDD-VSS	Ta = 2 5	4.5	5.0	5.5	V
SUPPLY VOLTAGE FOR LCD DRIVER	VEE-VSS	Ta = 2 5	-	-	-5.0	V
OPERATING VOL. FOR LCD MODULE	VDD-VO	Ta = 2 5	-	8.0	-	V
INPUT HIGH VOL.	VIH	-	0.7VDD	-	VDD	V
INPUT LOW VOL.	VIL	-	0	-	0.3VDD	V
SUPPLY CURRENT FOR LOGIC	IDD	VDD=5.0V	-	-	7.0	mA
SUPPLY CURRENT FOR LCD	ILCD	VO=-3.0V	-	-	12.0	mA
LED CURRENT	IF	Ta = 2 5	-	90	-	mA
LED DISSIPATION	Pd	Ta = 2 5	-	450	-	mW

4. BLOCK DIAGRAM:



6.DIMENSIONAL DRAWING :

