

G14432B-GB	9 CHARS ×2 LINES (16 X 16 Chinese Font)	1/32 DUTY	1/6 BIAS
-------------------	--	-----------	----------

1. FEATURE:

LCD MODE	STN/FSTN
BACKLIGHT TYPE	LED BACKLIGHT
CHARACTER FONTS	9 CHARACTERS X 2 LINE
CONTROLLER	ST7920
POWER SUPPLY FOR LCM	DC +5V OR 3.3V
LED BACKLIGHT INPUT	DC +5V OR 3.3V
EL BACKLIGHT INPUT	-
EL INVERTER	-

3.ABSOLUTE MAXIMUM RATINGS:

ITEM	SYMBOL	MIN	TYP	MAX	UNIT
OPERATING TEMP.	T _{OP}	-20	-	70	
STORAGE TEMP.	T _{ST}	-30	-	80	
INPUT VOLTAGE	V _I	V _{SS}	-	V _{DD}	V
SUPPLY VOL-LOGIC	V _{DD} -V _{SS}	4.5	5.0	6.5	V
SUPPLY VOL-LCD	V _{DD} -V _O	-	-	6.5	V

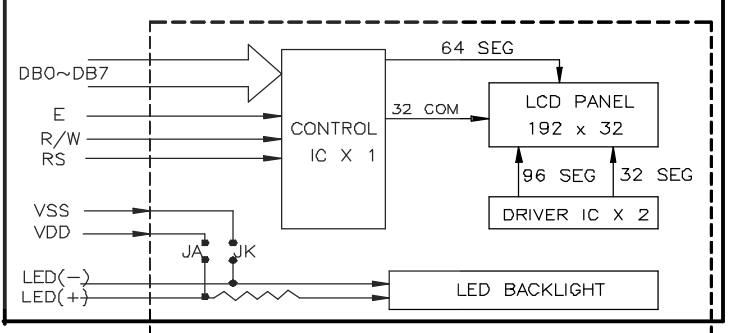
5.INTERFACE PIN CONNECTIONS:

NO	SYM	LEVEL	FUNCTION	NO	SYM	LEVEL	FUNCTION
1	V _{SS}	-	0V	11	DB ₄	H/L	DATA BIT ₄
2	V _{DD}	-	5V	12	DB ₅	H/L	DATA BIT ₅
3	N.C	-	N.C	13	DB ₆	H/L	DATA BIT ₆
4	RS(CS)	H/L	REGISTER SELECT	14	DB ₇	H/L	DATA BIT ₇
5	R/W(SI D)	H/L	READ/WRITE	15	A(+)	5V	BACKLIGHT
6	E(CLK)	H.H→L	ENABLE SIGNAL	16	K(-)	0V	BACKLIGHT
7	DB ₀	H/L	DATA BIT ₀	17			
8	DB ₁	H/L	DATA BIT ₁	18			
9	DB ₂	H/L	DATA BIT ₂	19			
10	DB ₃	H/L	DATA BIT ₃	20			

2.ELECTRICAL CHARACTERISTICS:

ITEM	SYM	CONDITION	MIN	TYP	MAX	UNIT
SUPPLY VOLTAGE FOR LCD	V _{DD} -V _O	Ta=0	-	6.1	-	V
		Ta=25	-	5.8	-	V
		Ta=50	-	5.5	-	V
INPUT VOLTAGE	V _I	-	-	-	-	V
INPUT HIGH VOL	V _{IH}	-	2.2	-	V _{DD}	V
INPUT LOW VOL	V _{IL}	-	0	-	0.6	V
OUTPUT HIGH VOL	V _{OH}	-	2.4	-	-	V
OUTPUT LOW VOL	V _{OL}	-	-	-	0.4	V
SUPPLY CURRENT	I _{DD}	V _{DD} =5v	-	4.5	6.0	mA
LED CURRENT	I _F	Ta=25	-	40	-	mA
LED DISSIPATION	P _D	Ta=25	-	200	-	mW

4.BLOCK DIAGRAM:



6.DISPLAY CHARACTER ADDRESS CODE:

	1	2	3	4	5	6	7	8	9	10	11	12
L1	80H	81H	82H	83H	84H	85H						
L2	89H	90H	91H	92H	93H	94H						
	13	14	15	16	17	18	19	20	21	22	23	24
L1	86H	87H	88H									
L2	95H	96H	97H									

7.DIMENSIONAL DRAWING:

