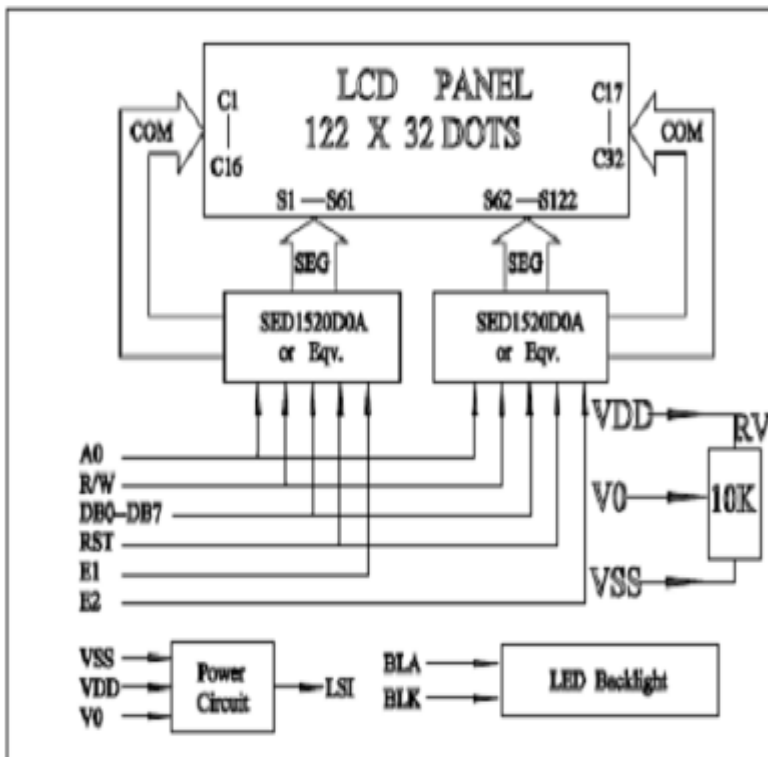


Item	Symbol	Test Condition	Min.	Typ.	Max.	Unit
Input High Voltage	V <sub>ih</sub>	-	2.0	-	V <sub>dd</sub>	V
Input Low Voltage	V <sub>il</sub>	-	-0.3	-	0.8	V
Output High Voltage	V <sub>oh</sub>	I <sub>oh</sub> = -0.2mA	2.4	-	V <sub>dd</sub>	V
Output Low Voltage	V <sub>ol</sub>	I <sub>ol</sub> = -1.6mA	0	-	0.4	V
Supply Current	I <sub>dd</sub>	V <sub>dd</sub> = 5.0V	-	0.6	1.0	mA
LCD Driving Voltage	V <sub>dd</sub> - V <sub>0</sub>	T <sub>a</sub> = 25 °C	-	4.7	-	V

Pin	Symbol	Level	Function
1	VDD	+5V	Power supply for logic
2	VSS	0V	Power GND
3	V0	-	Operation voltage for LCD
4	RST	L	Reset signal, active "L"
5	E1	H/L	Enable signal 1
6	E2	H/L	Enable signal 2
7	R/W	H/L	H:Read L:Write
8	A0	H/L	H:Data L:Instruction code
9	DB0	H/L	Data bus line
10	DB1	H/L	
11	DB2	H/L	
12	DB3	H/L	
13	DB4	H/L	
14	DB5	H/L	
15	DB6	H/L	
16	DB7	H/L	

## BLOCK DIAGRAM



## LCD Type

LCD Color	Backlight
Yellow Green	EL/100V/400Hz
Gray	EL/100V/400Hz