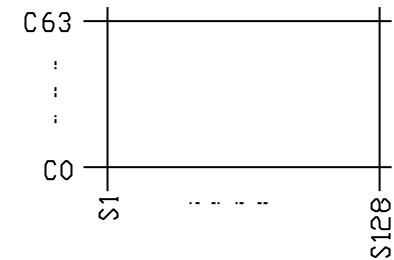
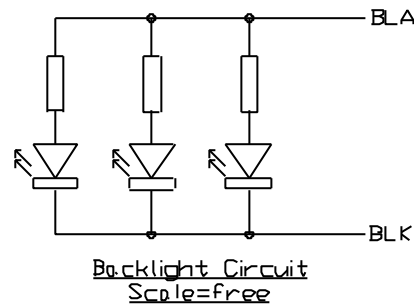


Terminal	
No.	Pin Name
1	VSS
2	VDD
3	NC
4	A0
5	R/W
6	E
7	DB0
8	DB1
9	DB2
10	DB3
11	DB4
12	DB5
13	DB6
14	DB7
15	NC
16	NC
17	/RST
18	NC
19	BLK
20	BLA



Wiring Details  
(Top View)  
Scale=free



Note:

- \*1. LCD Display Type : FSTN, Positive, Transmissive
- \*2. Viewing Direction : 6H
- \*3. Duty : 1/65; Bias : 1/9
- \*4. Operating Voltage : 5.0V
- \*5. Backlight Type : Green LED, 5.0V
- \*6. Operating Temperature : 0°C~50°C
- \*7. Storage Temperature : -10°C~60°C



Dwg Title TMI2864-1BP Outline			
Dwg No. 060119		Date 2007-03-21	
Scale 6/5	Unit mm	Tol. ±0.5	
Drawn JACK	Checked	Approved	